

Leak-off Valve type MIME (Minimum flow valve)

200 MW / 300 MW / 600 MW / 750 MW / 1000 MW

- High-pressure valve with safety function
- DN 25 - 250
- PN 50 - 250
- Single path
- Multi stage
- Low water temp. acceptable

DN: 25 – 250 / NPS 1" - 10"
 PN: 64 – 300 / ANSI CLASS 300-1500
 other sizes on request

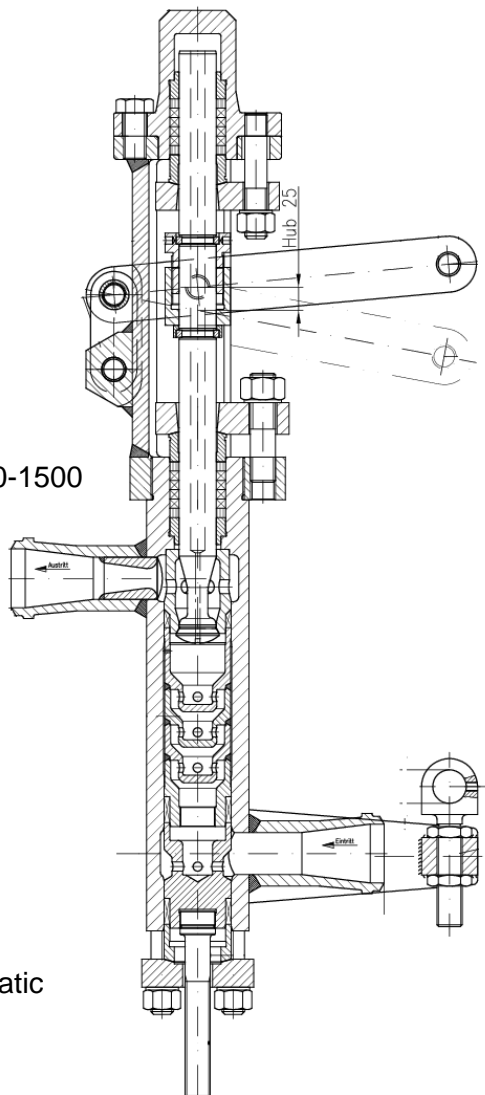
Control Range: 1:25, 1:30, 1:50
 according to specifications

Control characteristic: 2 point control,
 linear

Design: forged steel-welding
 construction,
 z-type

Connections: welding ends, flanges

Actuators: hydraulic, electric or pneumatic
 actuated over lever,
 according to specifications



All materials according to DIN or ANSI / ASTM. For the main parts of our valves we use standard material as listed below or according to our customer specifications.

| Material acc. to DIN | Description acc. to DIN | Material ASTM/AISI/ASME |
|-------------------------|----------------------------|----------------------------|
| 1.0460 | C22.8 | ASTM A105 |
| 1.4541 | X6CrNiTi18-10 | SUS 321 |
| 1.4571 | X6CrNiMoTi17-12-2 | SUS 316Ti |
| 1.4903 | X10CrMoVNb9-1 | ASTM A182 F91 |
| 1.4922 | X20CrMoV12-1 | |
| 1.5415 | 16Mo3 | ASTM A182 F1 |
| 1.7335 | 13CrMo4-5 | ASTM A182 F12 |
| 1.7380 | 10CrMo9-10 | ASTM A182 F22 |