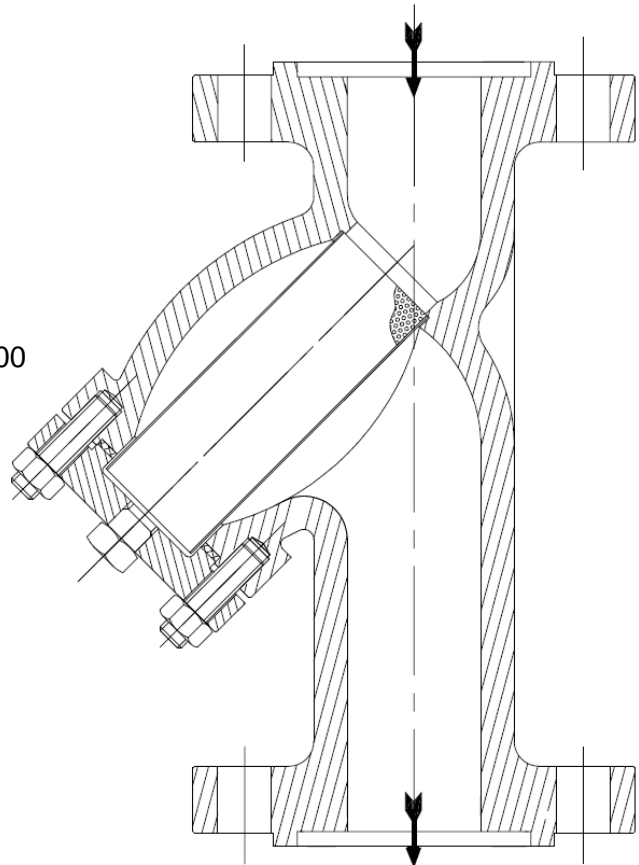


## Strainer type SMF

200 MW / 300 MW / 600 MW / 750 MW / 1000 MW

- High-pressure device
- DN 80 – 500 / NPS 3" – 20"
- PN 20 – 420 / Class 150 - 2500
- High steam temp. acceptable
- High water temp. acceptable

Nominal Size:	DN 80 / 3" - 500 / 20" other sizes on request
Rating:	PN 20 – 400 / Class 150 - 2500 other ratings on request
Design:	forged steel-welding construction, straight pattern
Connections:	welding ends, flanges



All materials according to DIN or ANSI / ASTM.  
 For the main parts of our valves we use standard material as listed below or according to our customer specifications.

Material acc. to DIN	Description acc. to DIN	Material ASTM/AISI/ASME
1.0460	C22.8	ASTM A105
1.4541	X6CrNiTi18-10	SUS 321
1.4571	X6CrNiMoTi17-12-2	SUS 316Ti
1.4903	X10CrMoVNb9-1	ASTM A182 F91
1.4922	X20CrMoV12-1	
1.5415	16Mo3	ASTM A182 F1
1.7335	13CrMo4-5	ASTM A182 F12
1.7380	10CrMo9-10	ASTM A182 F22