



A-T ARMATUREN-TECHNIK GMBH



Absperr-Armaturen, Regelventile, Turbinen-Umleitsysteme für Kraftwerkstechnik, Dampfanlagen und die Verfahrenstechnik
Isolating, Control Valves and Turbine Bypass Systems for the Electric Power Industry, Steam Plant Utilities and Process Industry

Quick Closing Valve type SV (3-way Outlet Valve)

200 MW / 300 MW / 600 MW / 750 MW / 1000 MW

- High-pressure valve
- DN 80 - 500
- PN 20 - 400
- Flow to close plug
- Flat plug
- High water temp. acceptable
- Quick acting

Nominal Size: 80 / 3" - 500 / 20"
other sizes on request

Rating: PN 20 – 400 / Class 150 - 2500

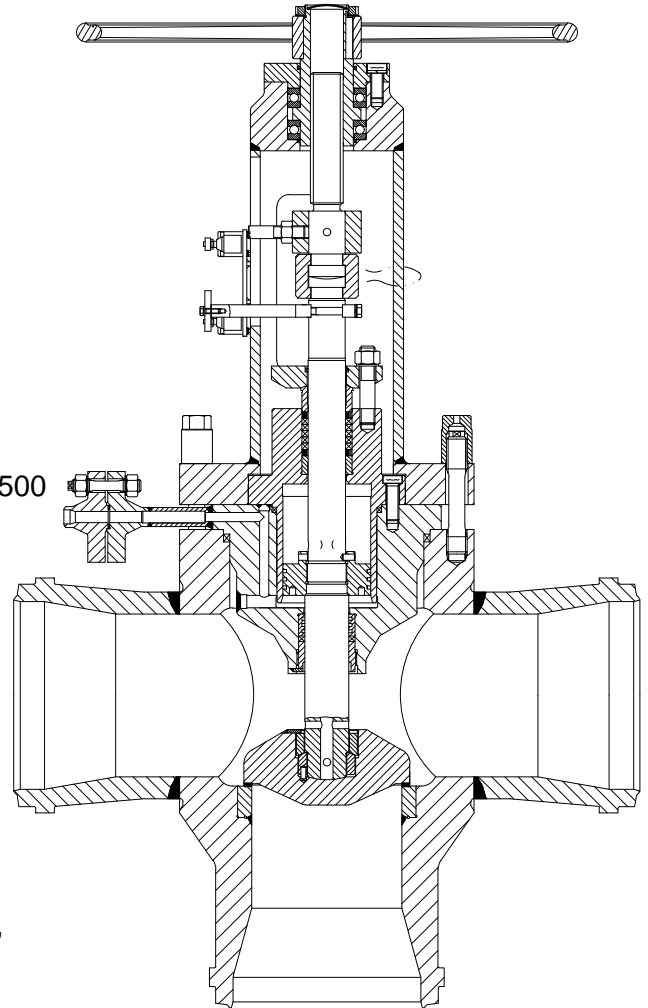
Control Range: 1:25, 1:30, 1:50
according to specifications

Control characteristic: on - off

Design: forged steel-welding
construction,
3-way, 2-way

Connections: welding ends

Actuators: electric, feedwater actuated,
according to specifications



All materials according to DIN or ANSI / ASTM. For the main parts of our valves we use standard material as listed below or according to our customer specifications.

Material acc. to DIN	Description acc. to DIN	Material ASTM/AISI/ASME
1.0460	C22.8	ASTM A105
1.4541	X6CrNiTi18-10	SUS 321
1.4571	X6CrNiMoTi17-12-2	SUS 316Ti
1.4903	X10CrMoVNb9-1	ASTM A182 F91
1.4922	X20CrMoV12-1	
1.5415	16Mo3	ASTM A182 F1
1.7335	13CrMo4-5	ASTM A182 F12
1.7380	10CrMo9-10	ASTM A182 F22